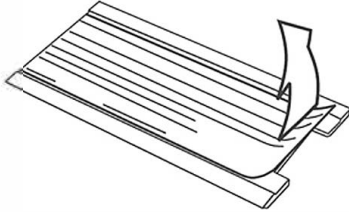


accutest[®] H. pylori Urease Test

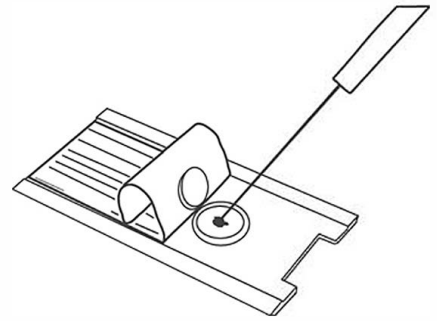


WARNING: Potentially Biohazardous Material
Treat all biopsy specimens as if capable of transmitting disease.

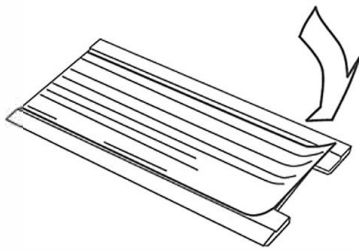
1 Open test



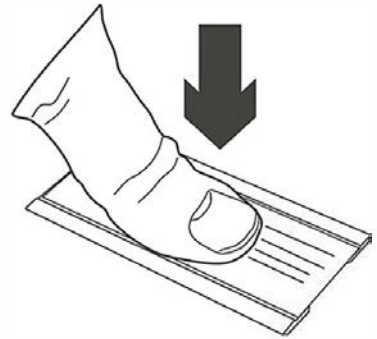
2 Place biopsy on test



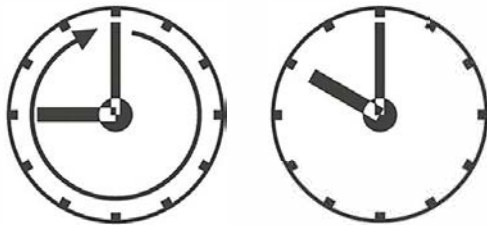
3 Re-seal test



4 Squeeze with thumb



5 Wait one hour



6 Test Result

Red = positive

Yellow = negative

